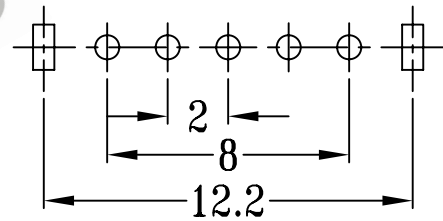
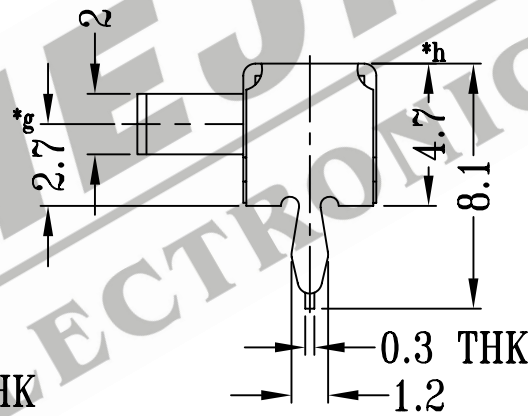
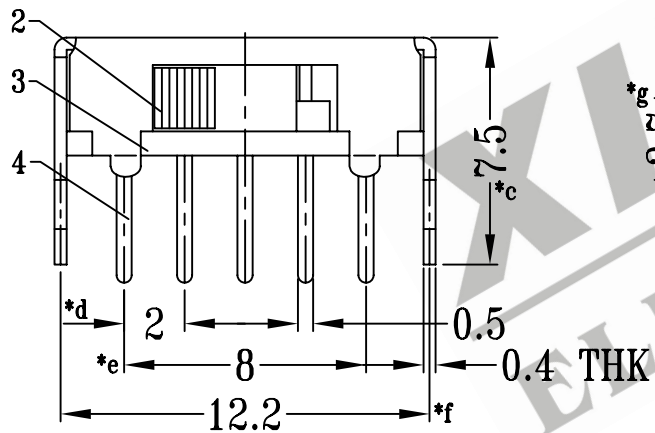
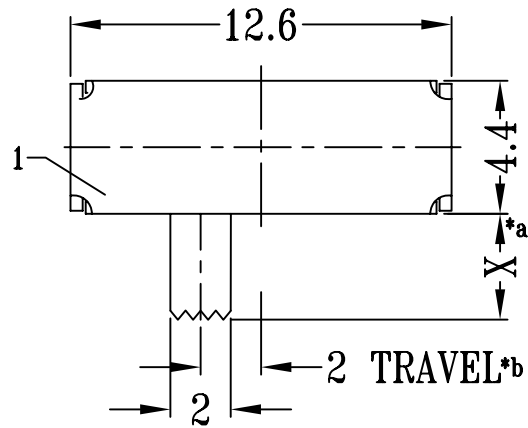
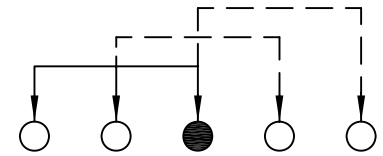


CAD FILE :



P.C.B LAYOUT



SCHEMATIC (SHORTING)

注:带"\*"表示关键尺寸(7个)

NO.	PART NAME	MATERIAL	QTY.	FINISHING	TOLERANCE UNLESS SPECIFIED	SHENZHEN XIEJIA ELECTRONICS CO.,LTD.				
8					WITHIN: 1.5±0.1mm OVER: 1.5±0.2mm	ISSUE	DATE	DESCRIPTIONS	APPD	
7										
6	SPRING PLATE	STAINLESS STEEL	1	NATURAL	TITLE: HORIZONTAL SLIDE SWITCH MODEL: SK-13D10 ALL MATERIALS MUST BE COMPLIANT TO ROHS	UNIT : M M		DRWG NO : XJ-DR-SK13D10-00		
5	CONTACT CLIP	PBS	1	Ag CLAD		SCALE : 4 : 1		DWN.	ZHOUYU	2004-6-8
4	TERMINAL	BRASS STRIP	5	Ag PLATED OVER Ni PLATED		CHK'D	FANGYING	2004-6-8		
3	BASE	PHENOLIC RESIN	1	NATURAL		APPD.	KANGXINAN	2004-6-8		
2	KNOB	POM	1	BLACK						
1	FORME	STEEL STRIP	1	Ni PLATED						